

eGate[®]

Description

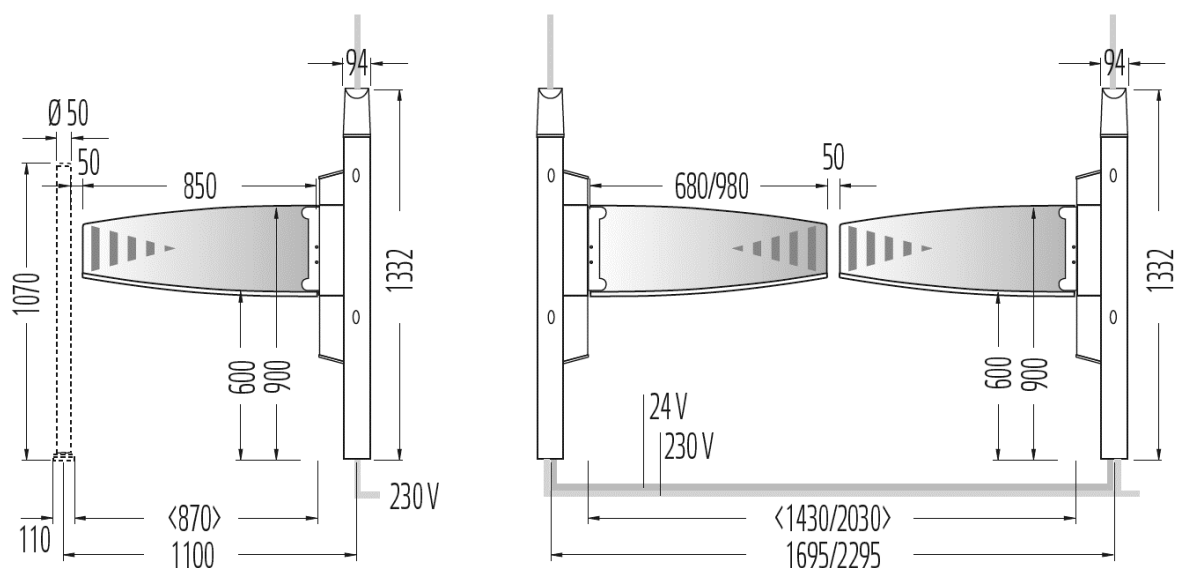
Modern entrance and exit systems

eGate entrance and exit systems. Cutting-edge technology for regulating the flow of people at entrances or exits. Barrier-free passage with variable access widths.



Features

- Attractive design with many functions
- High quality thanks to aluminium, stainless steel and toughened safety glass
- Attractive colour and surface combinations



Product equipment:

Design variants	Single system, single- and double-gate, double system, single- and double-gate
Material & surface	Powder-coated aluminium profile
Colour	Standard RAL colours RAL 7016 and RAL 9160 Other RAL colours available on request
Swivel arm & passage widths	

Standard-Schwenkarme Höhe x Breite (mm)						
Durchgangsbreite in mm	Einzelanlage			Doppelanlage		
	714	884	1014	1434	1774	2034
Rohr Höhe 300 x	680	850	980	680	850	980
ESG Höhe 300 x	680	850	980	680	850	980

Standard equipment	Adjustable motor speed Barrier manipulation alarm Opening pulse via single radar Potential-free contact, e.g. for fire alarm system
Optional equipment	Opening pulse via tandem radar Swivel range monitoring in exit section Reverse detection alarm Mains connection Power supply from the ceiling Opening pulse via external peripherals

Technical data:*

Power supply	100–240 V
Rated frequency	50 / 60 Hz
Power consumption	Max. 60 W
Rated current	Max. 0.64 A
Recommended mains fuse	10 WD
Protection class	I
Ambient temperature	+10°C to +50°C
Weight	30 kg (without swivel arms)
Level of protection	IP20
Interfaces	RJ45
Drive	24V/DC motor Freely rotatable when power is disconnected
Installation	Concrete foundation C25/30 or ground with a minimum compressive strength of 25N/mm ² , flatness tolerance of +/- 5 mm
Certificates	EN 60335-1:2012/A15:2021; EN 60335-2-103:2015; EN 17352:2022; UL 325:2017/R:2020-02; CAN/UL 325:2017

*Values per column